



CONCRETE CRUSHER

CC 320

Strongest in the fly-weight!



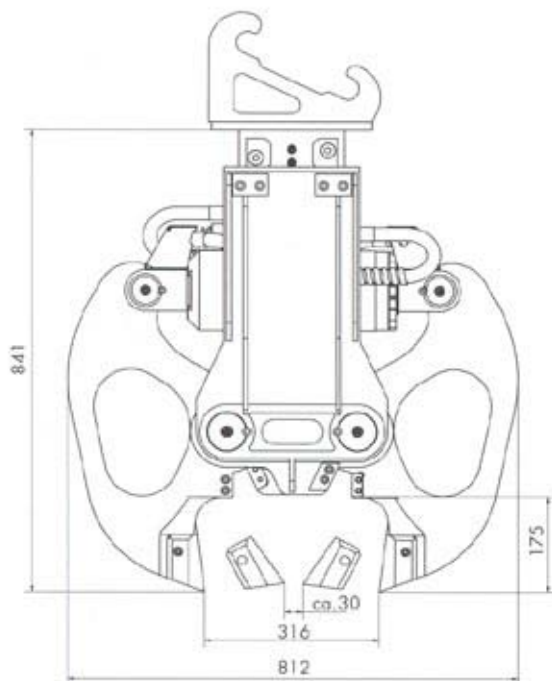
- A powerful lightweight
- Stable steel jaws
- Excellent performance
- Only a small carrier required
- Ideally suited for demolition inside buildings
- Crushes concrete up to 30 cm (11,8 inches)
- Cuts reinforcements up to 20 mm (0,8 inches)
- Replaceable crusher tips made of specially wear resistant steel alloy
- A built-in booster makes the crushing force independent of the carrier's working pressure
- Pivot for 360° rotation

darda
Just crack it.

CONCRETE CRUSHER

CC 320

So small - yet so powerful!



Specifications CC 320

Measurements

| | | |
|---------------------------------------|--------|-------------|
| Total length ^{1,2} | 841 mm | 33,1 inches |
| Total width ¹ | 812 mm | 32,0 inches |
| Total height | 270 mm | 10,6 inches |
| Maximum distance between crusher tips | 316 mm | 12,4 inches |

Weights

| | | |
|--|-------------|------------------|
| Total weight without mounting plate, approx. | ca. 139 kg | 306 lbs. |
| Recommended weight of carrier | 0,9 - 1,5 t | 1990 - 3300 lbs. |

Hydraulics

| | | |
|------------------|--------------------|-----------------|
| Minimum pressure | 15,5 MPa (155 bar) | 2250 psi |
| Maximum pressure | 27 MPa (270 bar) | 3900 psi |
| Working pressure | 43 MPa (430 bar) | 6230 psi |
| Oil flow max. | 40 l/min | 10,6 US gal/min |

Performance (at input pressure min 15,5 MPa (155 bar))

| | | |
|-------------------------------------|-----------------|----------------|
| Maximum crushing force ³ | 320 kN (32,6 t) | 71939 lbf |
| Maximum cutting force ³ | 900 kN (91,7 t) | 202328 lbf |
| Cutting capacity max. | D = 20 mm | D = 0,8 inches |
| Time to close ⁴ | ca. 3 s | ca. 3 s |
| Time to open ⁴ | ca. 2 s | ca. 2 s |

¹ When completely extended. ² Without mounting plate. ³ With an oil flow of approx. 40 l/min.

⁴ Force at the crusher tips when open. ⁵ Force at the cutter blades.



darda®

Just crack it.

Darda GmbH
Im Tal 1, D-78176 Blumberg
Fon + 49 (0) 77 02 / 43 91 - 0
Fax + 49 (0) 77 02 / 43 91 - 12
info@darda.de
www.darda.de